



KATALÓG VÝŠKOVO NASTAVITEĽNÝCH KOŠTRUKCIÍ



EASY UP



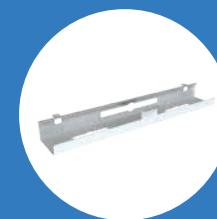
Important product information & main specifications

Adjustable range height in mm.	: 690 - 1150
Adjustable range frame size in mm.	: 1075 - 1720
Max. lifting capacity	: 100 Kg
Warranty period	: 5 years
Available colours	: Aluminium RAL9006 : Black RAL9005 : White RAL9010
Gross packaging weight	: 29,6 Kg

Recommended accessories



Single tube



Cable tray 80



Power outlet



SMART

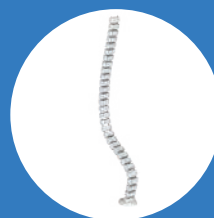




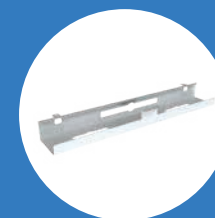
Important product information & main specifications

Adjustable range height in mm.	: 625 - 1275
Adjustable range frame size in mm.	: 1075 - 1800
Max. lifting capacity	: 120 Kg
Warranty period	: 5 years
Available colours	: Aluminium RAL9006 : Black RAL9005 : White RAL9010
Gross packaging weight	: 31,5 Kg

Recommended accessories



Single tube



Cable tray 80



Power outlet



CUBIC





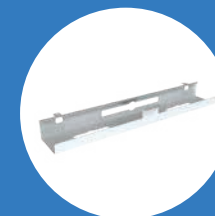
Important product information & main specifications

Adjustable range height in mm.	: 625 - 1275
Adjustable range frame size in mm.	: 1075 - 1800
Max. lifting capacity	: 120 Kg
Warranty period	: 5 years
Available colours	: Aluminium RAL9006 : Black RAL9005 : White RAL9010
Gross packaging weight	: 32,5 Kg

Recommended accessories



Single tube



Cable tray 80



Power outlet

Optional: also available with brackets of 900mm, this will provide you with the possibility to transform the Cubic desk into a small meeting table.



LITTLE

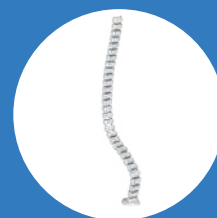




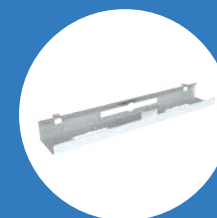
Important product information & main specifications

Adjustable range height in mm.	: 690 - 1150
Adjustable range frame size in mm.	: 700 – 1100
Max. lifting capacity	: 120 Kg
Warranty period	: 5 years
Available colours	: Aluminium RAL9006 : Black RAL9005 : White RAL9010

Recommended accessories



Single tube



Cable tray 80



Power outlet



PRESTIGE





Important product information & main specifications

Including Bluetooth mover

Adjustable range height in mm. : 625 - 1275

Adjustable range frame size in mm. : 1075 - 1800

Max. lifting capacity : 120 Kg

Warranty period : 5 years

Available colours : Aluminium RAL9006

: Black RAL9005

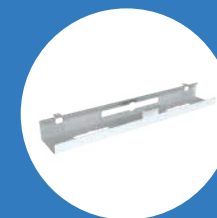
: White RAL9010

Gross packaging weight : 34,5 Kg

Recommended accessories



Single tube



Cable tray 80



Power outlet



FLEX





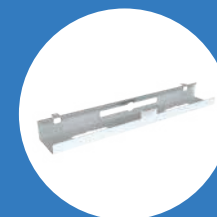
Important product information & main specifications

Adjustable range height in mm.	: 625 - 1275
Adjustable range frame size in mm.	: 1075 - 1800
Max. lifting capacity	: 80 Kg
Warranty period	: 2 years
Available colours	: Aluminium RAL9006 : Black RAL9005 : White RAL9010
Gross packaging weight	: 32,5 Kg

Recommended accessories



Single tube



Cable tray 80



Power outlet



CIRCLE





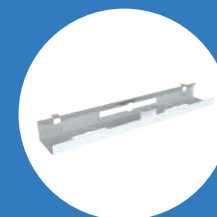
Important product information & main specifications

Adjustable range height in mm.	: 625 - 1275
Adjustable range frame size in mm.	: 1075 - 1800
Max. lifting capacity	: 120 Kg
Warranty period	: 5 years
Available colours	: Aluminium RAL9006 : Black RAL9005 : White RAL9010
Gross packaging weight	: 30,5 Kg

Recommended accessories



Single tube



Cable tray 80



Power outlet



HOME

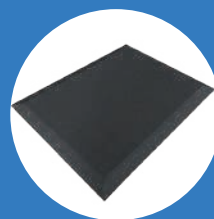




Important product information & main specifications

Adjustable range height in mm.	: 710 – 1190
Table top size in mm.	: 1145 x 588
Max. lifting capacity	: 60 Kg
Warranty period	: 2 years
Available colours	: Black RAL9005 : White RAL9010
Including	: Built-in personal drawer : Built-in wireless charger : USB-A : USB-C

Recommended products



Anti-fatigue mat



Metal cabinet





SMART DUO

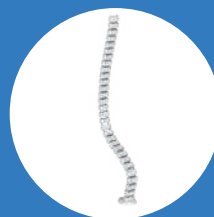




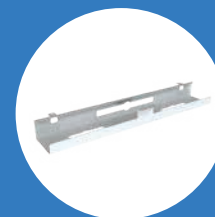
Important product information & main specifications

Adjustable range height in mm.	: 625 - 1275
Adjustable range frame size in mm.	: 1075 - 1800
Max. lifting capacity	: 120 Kg per side
Warranty period	: 5 years
Available colours	: Aluminium RAL9006 : Black RAL9005 : White RAL9010
Gross packaging weight	: 72 Kg

Recommended accessories



Bench tube



Cable tray 80



Power outlet



Partition panel



FLEX DUO

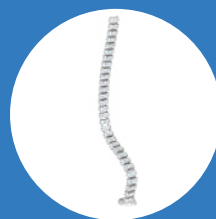




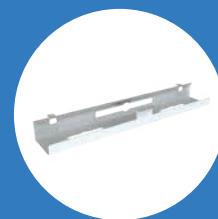
Important product information & main specifications

Adjustable range height in mm.	: 625 - 1275
Adjustable range frame size in mm.	: 1075 - 1800
Max. lifting capacity	: 80 Kg per side
Warranty period	: 2 years
Available colours	: Aluminium RAL9006 : Black RAL9005 : White RAL9010
Gross packaging weight	: 72 Kg

Recommended accessories



Bench tube



Cable tray 80



Power outlet



Partition panel



EDGE

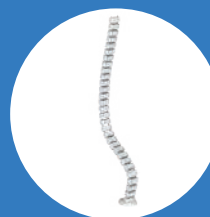




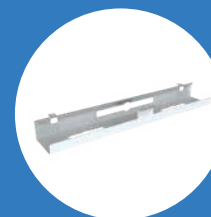
Important product information & main specifications

Adjustable range height in mm.	: 625 - 1275
Adjustable range frame size in mm.	: 1075 - 1800
Max. lifting capacity	: 150 Kg
Warranty period	: 5 years
Available colours	: Aluminium RAL9006 : Black RAL9005 : White RAL9010
Gross packaging weight	: 50 Kg

Recommended accessories



Single tube



Cable tray 80



Power outlet



Connecting Plate



TRIO

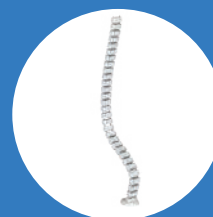




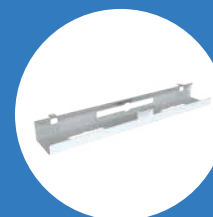
Important product information & main specifications

Adjustable range height in mm.	: 625 - 1275
Adjustable range frame size in mm.	: 1100 - 1700 *2
Max. lifting capacity	: 150 Kg
Warranty period	: 5 years
Available colours	: Aluminium RAL9006 : Black RAL9005 : White RAL9010
Gross packaging weight	: 50 Kg

Recommended accessories



Single tube



Cable tray 80



Power outlet



MEET





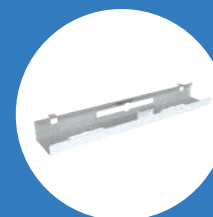
Important product information & main specifications

Adjustable range height in mm.	: 625 - 1275
Adjustable range frame size in mm.	: 2000 - 3000
Max. lifting capacity	: 150 Kg
Warranty period	: 5 years
Available colours	: Aluminium RAL9006 : Black RAL9005 : White RAL9010
Gross packaging weight	: 56 Kg

Recommended accessories



Single tube



Cable tray 80



Power outlet



BLOCK

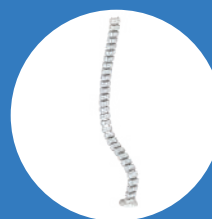




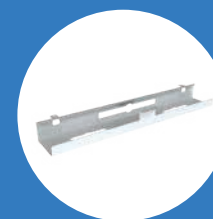
Important product information & main specifications

Adjustable range height in mm.	: 625 - 1275
Adjustable range frame size in mm.	: 860 – 1400
Max. lifting capacity	: 200 Kg
Warranty period	: 5 years
Available colours	: Aluminium RAL9006 : Black RAL9005 : White RAL9010
Gross packaging weight	: 30,5 Kg

Recommended accessories



Single tube



Cable tray 80



Power outlet



HANDLE





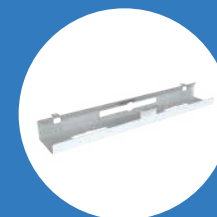
Important product information & main specifications

Adjustable range height in mm.	: 680 - 1130
Adjustable range frame size in mm.	: 1150 - 1800
Max. lifting capacity	: 80 Kg
Warranty period	: 5 years
Available colours	: Aluminium RAL9006 : Black RAL9005 : White RAL9010
Gross packaging weight	: 26,5 Kg

Recommended accessories



Single tube



Cable tray 80



Power outlet



HANDLE DUO

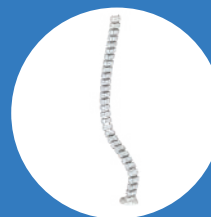




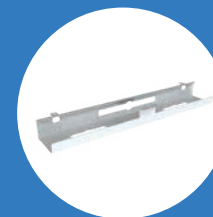
Important product information & main specifications

Adjustable range height in mm.	: 680 - 1130
Adjustable range frame size in mm.	: 1150 - 1800
Max. lifting capacity	: 80 Kg per side
Warranty period	: 5 years
Available colours	: Aluminium RAL9006 : Black RAL9005 : White RAL9010
Gross packaging weight	: 46 Kg

Recommended accessories



Single tube



Cable tray 80



Power outlet



Partition panel



FIX





Important product information & main specifications

Static height range in mm.	: 575 – 855
Adjustable range frame size in mm.	: 1075 – 1800
Max. weight capacity	: 150
Warranty period	: 5 years
Available colours	: Aluminium RAL9006 : Black RAL9005 : White RAL9010
Gross packaging weight	: 150 Kg

L-shape screw desk

Add the L-shape add on to easily create a 90-degrees desk. Use SKU: AK03YJT-AJ.90 to order the additional box with the add-on as displayed in the picture below.



ACCESSORIES

The total package

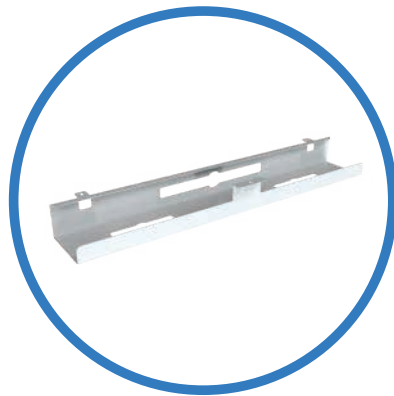
Our recommended accessories for every frame are:

- » **Cable trays;** to hide any loose cables inside the frame and make your office room clean and tidy
- » **Cable tubes;** to conceal cables going upwards to the socket plugs and computer screens
- » **Power outlet;** to provide laptop users with electricity or other electronic equipment

For our DUO set-ups (bench series) we also recommend the **partition panels** to create a sense of privacy.



Cable tube



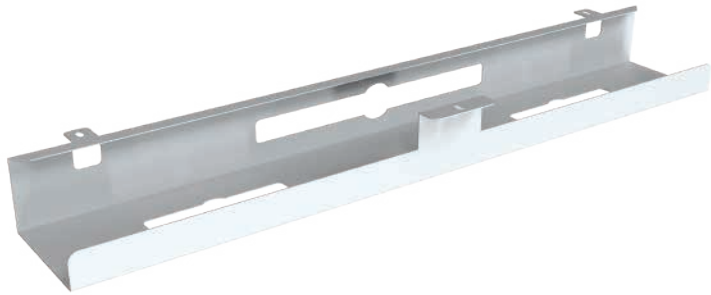
Metal cable tray



Partition panels



Socket plug



Cable tray / SKU: CM.800

This cable tray can be used to hide cables, the cable tray should be screwed to the table top. An absolute must to create the best office experience.

Length : 800 mm
Available in : Aluminium (RAL 9006)
: Black (RAL 9005)
: White (RAL 9010)

Single tube / SKU: CT.128.H / Bench tube / SKU: CT.132.B

This flexible cable tube allows you to conceal the cables running up to your computer screen or other electronic devices. It creates a more professional and clean office space and is therefore a must in your office. These come in single desk tubes or bench tubes.

Length : 1280 mm
Available in : Aluminium (RAL 9006)
: Black (RAL 9005)
: White (RAL 9010)





Power outlet / SKU AK-233C.BL

To provide you with easy electricity access on top of your desk . This socket plug even has a double USB port for your mobile devices.

Configuration : EU plug* 2+USB/A+C(38W)+2.5m length EU plug+mounting base

Input : AC 250V 10A

Output : AC 250V 10A

USB A output : 4.75V-5.35V/3A 8.55V-9.45V/2A 11.40 V-12.6V/ 1.5A

Type C output : 4.75V-5.35V/3A 8.55V-9.45V/2A 11.40V-12.V/ 1.67A

Part. Panels | SKU: PRP.160.80 & PRP.180.80

To provide office employees with more privacy our bench series should be delivered with a partition panel. Moreover, it creates a tidy office space. The use of partition panels is often experienced as very pleasant by its users. The panels are certified with a fire safety certificate. Interested in a different size or colour? Please contact us.

Sizes : 1600 * 800 * 30mm
1800 * 800 * 30mm

Available in : Grey
: Anthracite



WIRELESS CHARGER

SKU: AK-T13D

Suitable for office/cafe/restaurant etc., it can charge any device suitable for wireless charging through any non-metal surface, such as wood/plastic/granite etc.

Colour	: Black
Sticker colour	: Aluminium, Black, White
Material	: ABS
Wireless output	: 35W
Transmitting distance	: 15-30 mm







Bench connector | SKU: BCB

In order to conceal the cables when using a DUO frame we advise to use a bench connection beam. They can be linked to two benches with a magnet.

Sizes	: 10 (l) * 60 (w) mm
Material	: Steel
Available in	: Aluminium (RAL 9006) : Black (RAL 9005) : White (RAL 9010)

CPU holder | SKU: CPU.UNI

Our universal CPU holder is suitable for computers up to 14 kilos. It is being attached under the desk to allow the PC to be placed freely from the floor. This reduces the risk of dust and damage and the PC will be lifted with the table top.

Height adjustable	: 300 - 455 mm
Width adjustable	: 135 - 245 mm
Available in	: Aluminium (RAL 9006) : Black (RAL 9005) : White (RAL 9010)





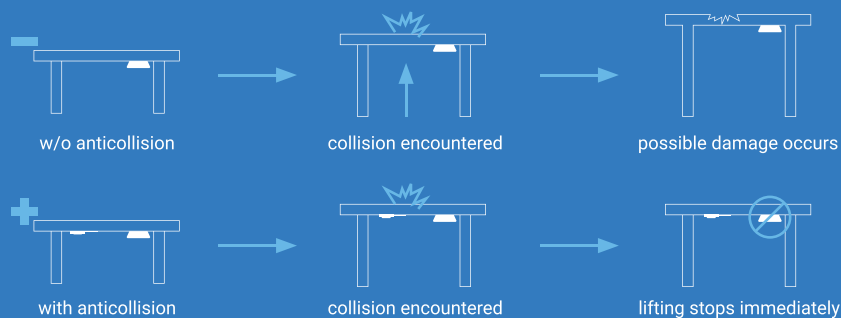
Wireless charger | SKU: WP-W21

With the wireless charger WP-W21, you can charge your mobile devices extra fast without any cables. This charger supports wireless fast charging for all mobile devices that support this function.

Diameter	: 80mm
Hole Size	: 60mm
Thickness	: 12mm
Material	: plastic
Available in	: Black (RAL 9005)
	: White (RAL 9010)

Collision sensor | SKU: TCS1

With this anti-collision sensor you limit damage to the desk and/or devices nearby. Also the safety of the user will increase. As soon as the sensor detects that the desk is colliding with an obstacle, the desk stops moving.





Fatigue mat / SKU: AFM.900.610

Standing at your desk can sometimes cause tired feet and legs. By using an anti-fatigue mat this phenomenon can be prevented. This makes it even more pleasant to use the sit/stand desk. In short, an important addition to your workplace!

Sizes	: 900 (l) * 610 (w) * 19 (h) mm
Material	: TPE
Available in	: Black
Packing information	: 950 (l) * 650 (w) * 30 (h) mm, 1,5 kg

Drawer | SKU: PERS.DR

Less and less documentation material is needed in a digital world. That's why this personal drawer is the perfect solution. It is equipped with a pen tray and has a lock to keep your belongings safe while not taking up much space.

Dimensions	: 300 (l) * 390 (w) * 90 (h) mm
Including	: 2 keys
Available in	: Aluminium (RAL 9006)
	: Black (RAL 9005)
	: White (RAL 9010)





Cabinet | SKU: CAB.3

This portable drawer unit is equipped with telescopic slides, a pen tray and a drawer with a lock. For a safe storage of your personal belongings.

Dimensions cabinet : 580 (w) * 420 (d) * 540 (h) mm

Dimensions drawers : 560 (w) * 420 (d) * 155 (h) mm

Available : Aluminium (RAL 9006)
: Black (RAL 9005)
: White (RAL 9010)

Wing set / SKU: WIN

In order to create a curvy table top, AOKE offers the "wing desk replacement set".

This set makes it possible to carry a bigger table top (with curve) by increasing the size of one foot and bracket. By adding this additional space a curved table top can be attached to the new frame. Moreover, the support beam will be swapped into a curved support beam to ensure the stability of the office desk.

Note: the standard support beam, one foot and one bracket won't be needed anymore after installing the wing desk set.

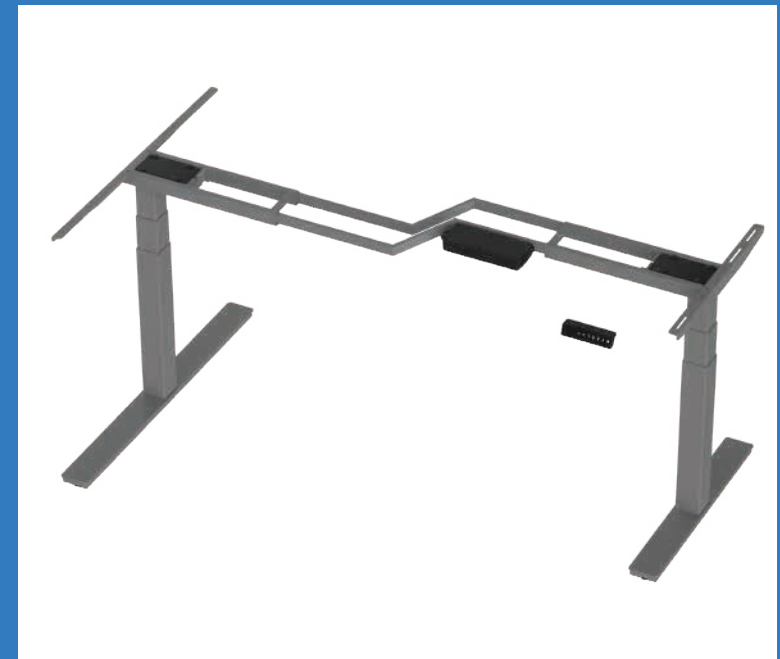
Available in : Aluminium, Anthracite, Black, White

Size of foot : 1000 mm

Size of bracket : 900 mm

Size of curved support beam : 1200 - 1750 mm

suitable for all dual-motor frame except Little and Home.



MONITOR ARMS

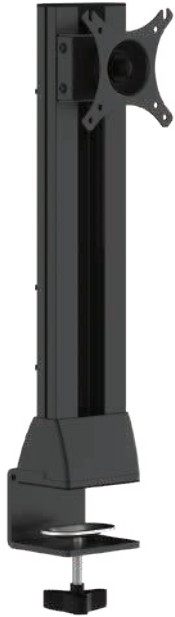
We have three different Monitor arms for our high-quality desks. A single spring Arm (AK-MA02S), a DUO spring arm (AK-MA02D) and a flat Manual arm (AK-MA09D) including bracket for Dual option (AK-MA09B).

Single spring / SKU: AK-MA02S

Dual Spring / SKU: AK-MA02D

Suitable monitor size	: 14 – 32 inch
Rotation angle	: 360 degrees
Height adjustable range	: 240mm
Weight capacity	: 2 – 9 Kg
Material	: ABS & Aluminium
Available in	: Aluminium (RAL 9006) : Black (RAL 9005) : White (RAL 9010)
Warranty	: 5 years





Single Manual / SKU: AK-MA09S

Suitable monitor size	: Max. 32 inch
Rotation angle	: 360
Weight capacity	: Max. 9 Kg
Height range	: 18 cm
Material	: ABS & Aluminium
Available in	: Aluminium (RAL 9006) : Black (RAL 9005) : White (RAL 9010)
Warranty	: 5 years

Dual bracket / SKU: K-MA09D

Suitable monitor size	: 2 * 32 inch
Rotation angle	: 360
Weight capacity	: Max. 9 Kg per VESA mount
Height range	: 18 cm
Material	: ABS & Aluminium
Available in	: Aluminium (RAL 9006) : Black (RAL 9005) : White (RAL 9010)
Warranty	: 5 years

■ Suitable for all dual-motor frame except Little and Home

LEG COVERS

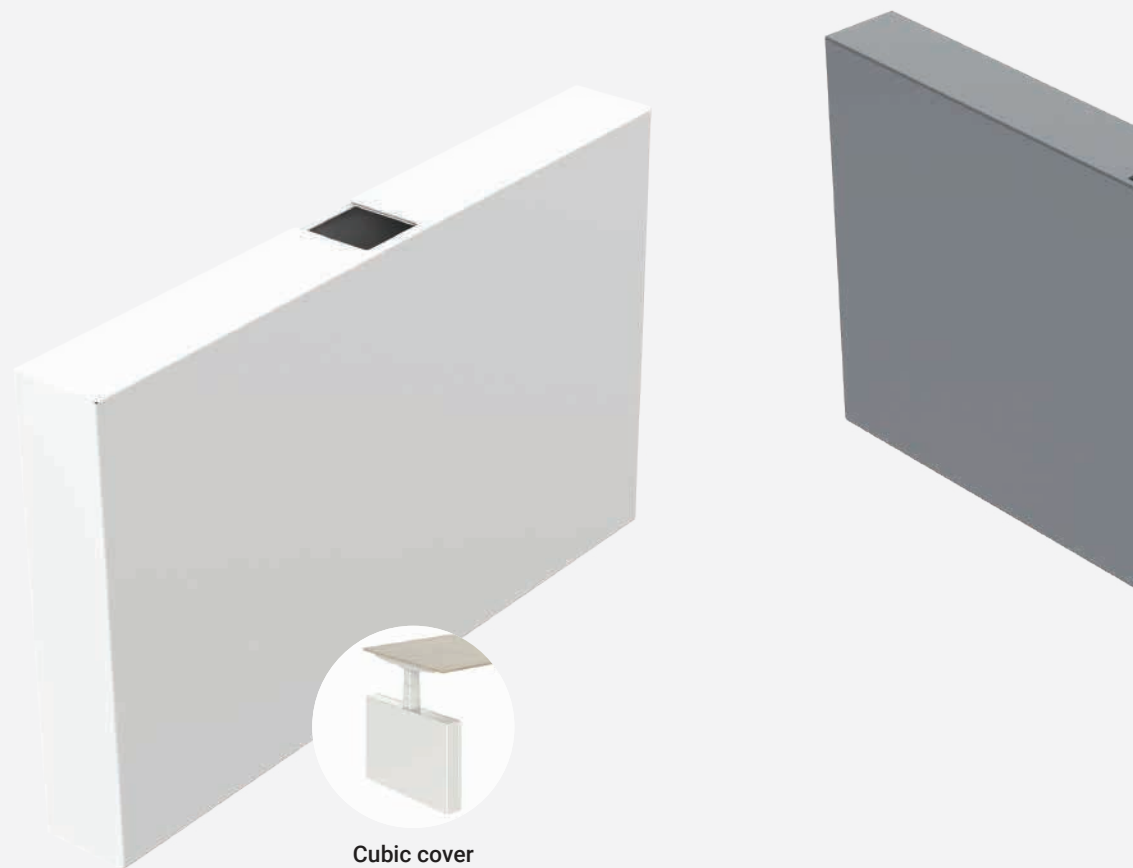
These leg covers are suitable to instal on the legs of the frames. They are used to make the workplace look neat and tidy and available for different frames.

Cubic | SKU: AK-ZTPJ-80-SQR

Smart & Flex | SKU: AK-ZTPJ-80-RCT

Meet | SKU: AK-ZTPJ-100-SQR

Duo + | SKU: AK-ZTPJ-166-RCT



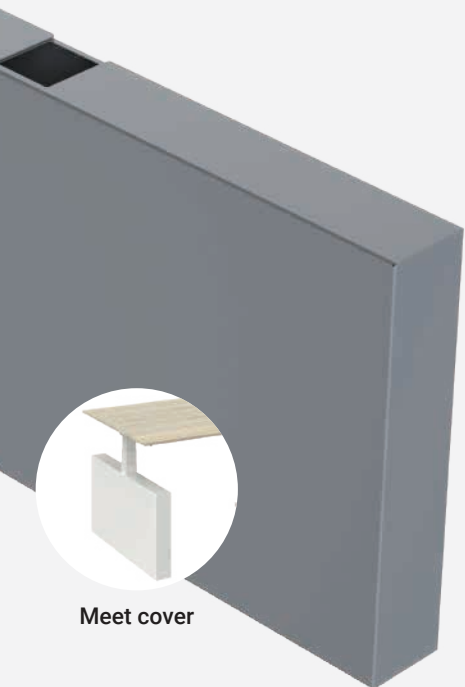
Cubic cover

Dimensions

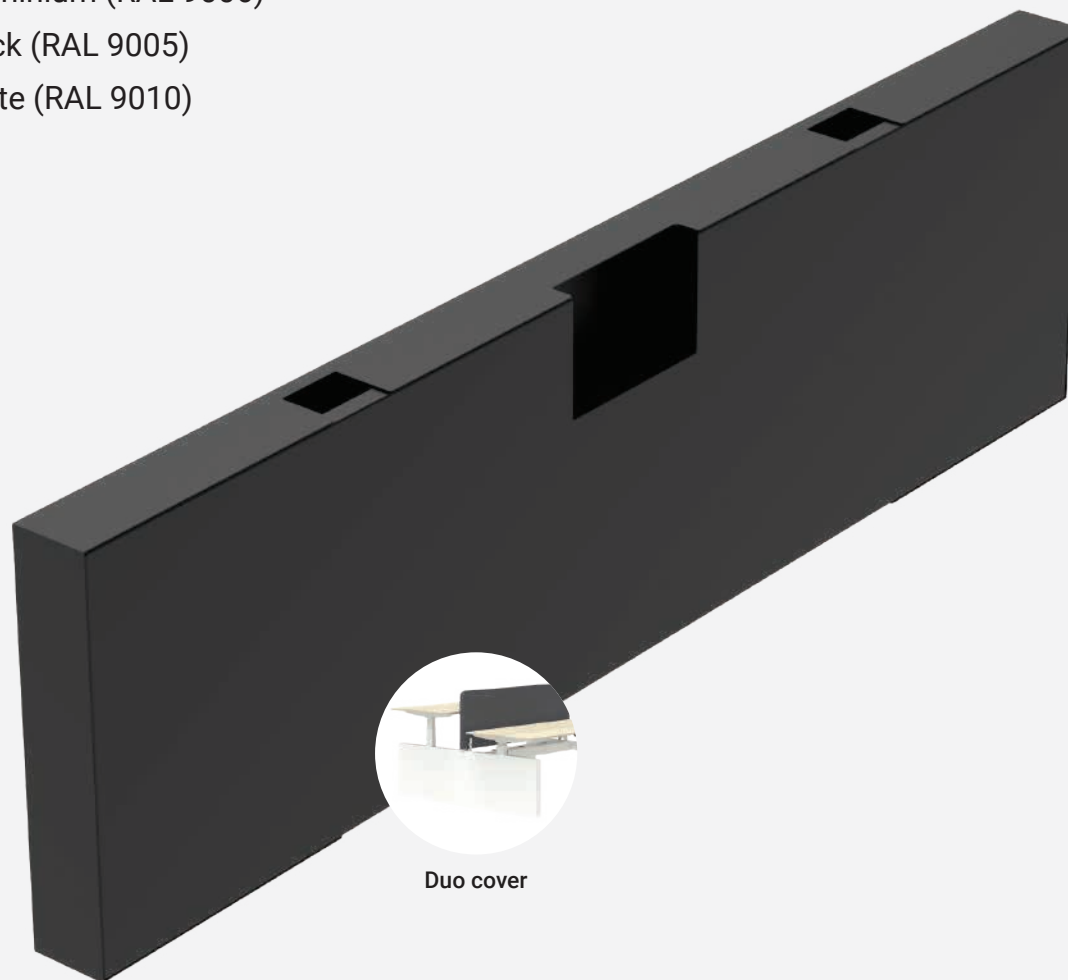
- : AK-ZTPJ-80-SQR : 800 (l) * 95 (w) * 475 (h) mm
- : AK-ZTPJ-80-RCT : 800 (l) * 95 (w) * 475 (h) mm
- : AK-ZTPJ-100-SQR : 1000 (l) * 95 (w) * 475 (h) mm
- : AK-ZTPJ-166-RCT : 1660 (l) * 95 (w) * 475 (h) mm

Available in

- : Aluminium (RAL 9006)
- : Black (RAL 9005)
- : White (RAL 9010)



Meet cover



Duo cover

HANDSETS

TDH18P

Maximum available buttons	: 5
Display	: 3-digit display shows height of the desk
Colour	: Black
Memory functionality	: 3 settings

- » Compatible with the TWD1 (Bluetooth adapter).*
- » With 2 USB charging ports.
- » 3-digit display shows height of the desk

* The desk can be controlled by Bluetooth when using the TWD1 (Bluetooth adapter).



TH14

Maximum available buttons	: 2
Colour	: Black



TDH6

Maximum available buttons	: 7
Display	: 3-digit display shows height of the desk
Colour	: Black
Memory functionality	: 4 settings

WP-H01

Maximum available buttons	: 7
Display	: 3-digit display shows height of the desk
Colour	: Black
Memory functionality	: 4 settings

» With 1 USB charging port.



DESK RISERS

Enhance / SKU: AK-MR-P13-2

Type of desk riser	: Pneumatic desk riser
Height range for top	: 55 – 408 mm
Max. lifting capacity	: 8 Kg
Warranty period	: 2
Packaging information	
Dimensions	: 700 (l) * 530 (w) * 120 (h) mm
Net weight	: 12 Kg
Gross weight	: 13 Kg





Advance / SKU: AK-MR-E03S

Type of desk riser : Electric desk riser
 Height range :
 Top : 150 – 550 mm
 Keyboard : 20 – 420 mm

Max. lifting capacity : 20 Kg
 Speed : 15 mm/s
 Input : 100 – 240V
 Noise level : < 50 dB
 Warranty period : 5 years

Dimensions : 990 (l) * 650 (w) * 250 (h) mm
 Net weight : 27 Kg
 Gross weight : 28,6 Kg

Raise / SKU: AK-MS03

Raise
 Type of desk riser : Monitor raiser
 Sizes : 560 (l) * 210 (w) * 80 (h) mm
 Max. capacity : 20 Kg
 Glass type : tempered
 Warranty period : 2 years

Dimensions : 630 (l) * 250 (w) * 50 (h) mm
 Gross weight : 28,6 Kg
 Units per Carton : 5

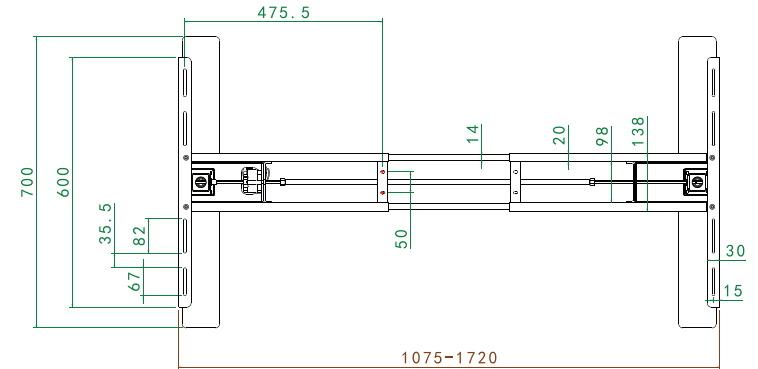
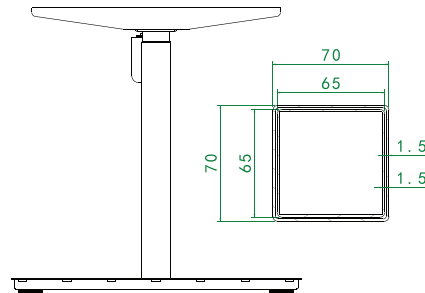
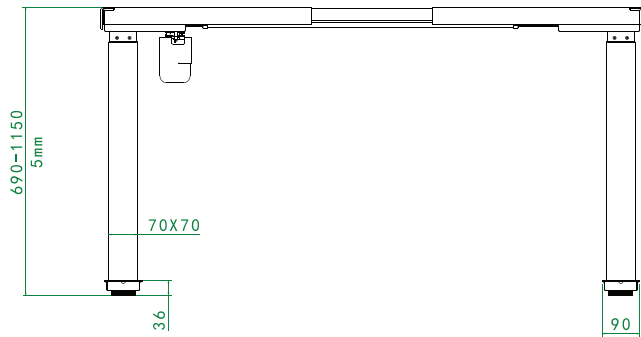


PRODUCT SPECIFICATIONS

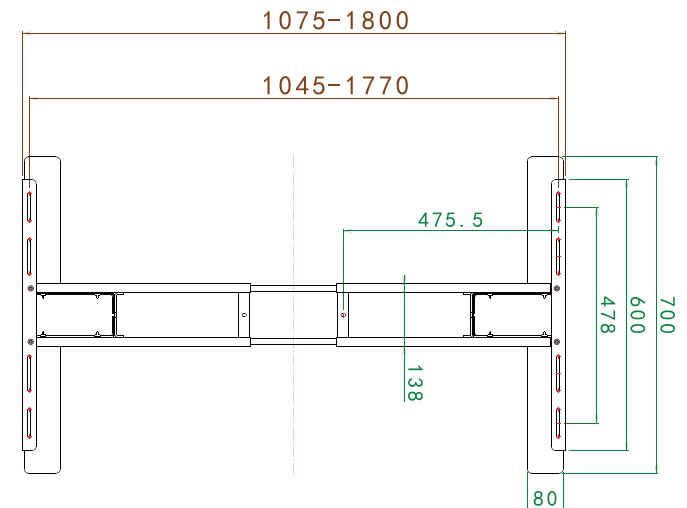
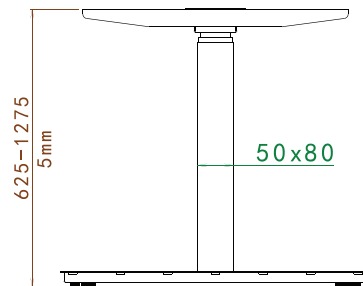
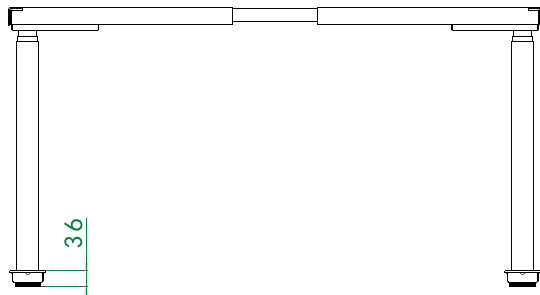
PRODUCTS	T-Motion						
	Single motor			Dual motor			
	Easy Up	Smart	Cubic	Little	Prestige	Circle	Home
Product information							
Leg orientation	Square	Rectangular	Square	Square	Square	Round	Rectangular
Adjustable range Height mm.	690 - 1150	625 - 1275	625 - 1275	690 - 1150	625 - 1275	625 - 1275	710 - 1190
Adjustable range Frame size mm.	1075 - 1720	1075 - 1800	1075 - 1800	700 - 1100	1075 - 1800	1075 - 1800	1145 x 588
Table top brackets Length in mm.	600	600	600	500	600	600	275
Foot Length in mm.	700	700	700	600	700	700	600
Lifting capacity in Kg.	100	120	120	120	120	120	60
Max . Speed in mm/s	25	40	40	40	40	40	40
Noise level in dB.	50	<45	<45	<40	<45	<40	<45
Electricity input	110 - 230V	110 - 230V	110 - 230V	110 - 230V	110 - 230V	110 - 230V	111 - 230V
Warranty period in Years	5	5	5	5	5	5	2
Bluetooth	Optional	Optional	Optional	Yes	Yes	Optional	No
Motor	T-Motion	T-motion	T-motion	AOKE	T-motion	T-motion	AOKE
Anti-collision type	X	T-touch (gyroscope)	T-touch (gyroscope)	AOKE (gyroscope)	T-touch (gyroscope)	T-touch (gyroscope)	AOKE (gyroscope)
Available colours	B/W/A	B/W/A	B/W/A	B/W/A	B/W/A	B/W/A	B/W
Control boxes	TC11	TC15S	TC15S	Integrated	TC15S	TC15S	Integrated
Control box information							
Built-in transformer	SMPS	SMPS	SMPS		SMPS	SMPS	
Standby power cons.	0.1W	0.1W	0.1W	Integrated into handset	0.1W	0.1W	Integrated into handset
Maximum output	32V DC, 2.5A	32V DC, 2.5A	32V DC, 2.5A		32V DC, 2.5A	32V DC, 2.5A	
Packing Information							
Dimensions in cm.							
Length	104.5	104.5	104.5	93	104.5	104.5	2 boxes - sizes in table 2
Width	31	31	31	30	31	31	
Height	19	19	19	20	19	19	
Net weight in Kg.	27.6	29.5	30.5	21.6	32.5	28.5	38
Gross weight in Kg.	29	31.5	31.5	23.6	34.5	30	
Quantity per pallet	44	44	44	48	44	44	1/2:42 2/2:34
Container Quantities							
20 GP / Sets	288	320	320	X	320	320	X
40 HC / Sets	792	760	760	864	760	760	316

PRODUCT DIMENSIONS

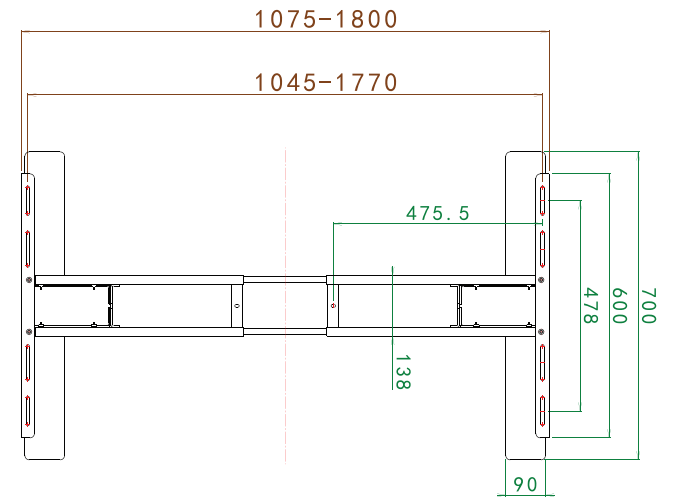
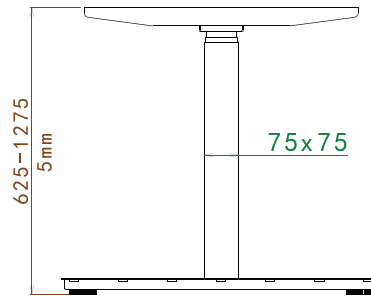
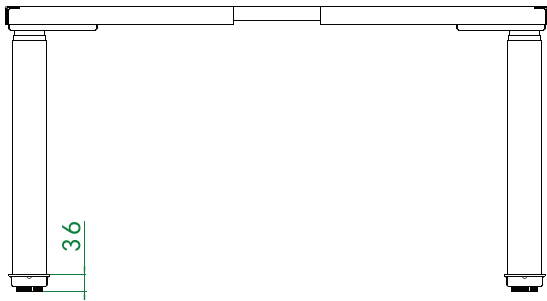
EASY-UP



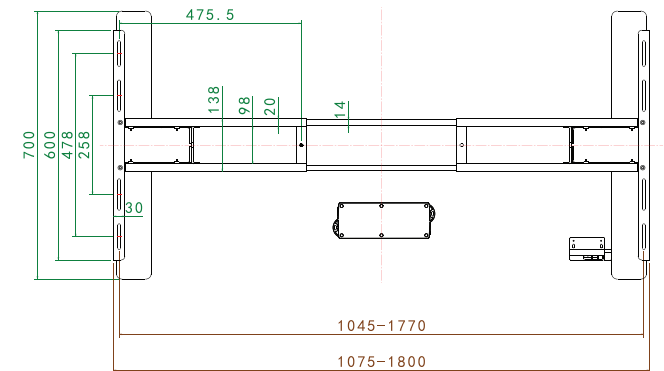
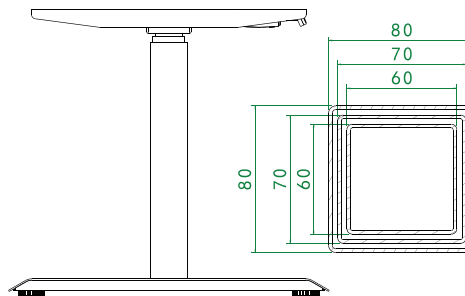
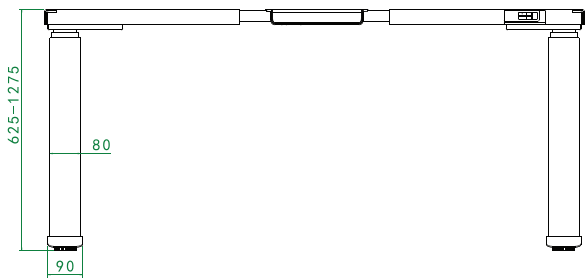
SMART



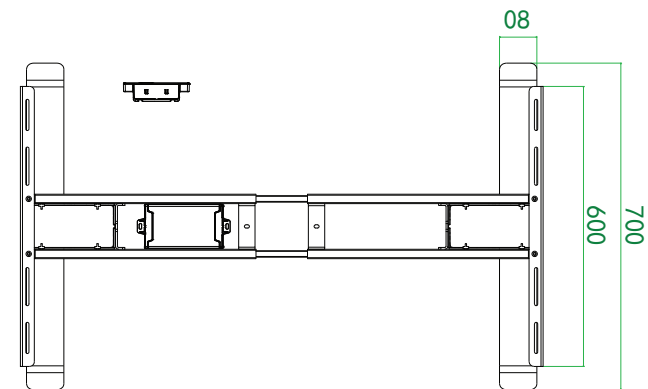
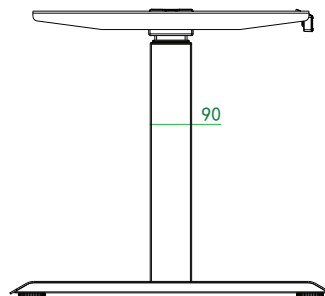
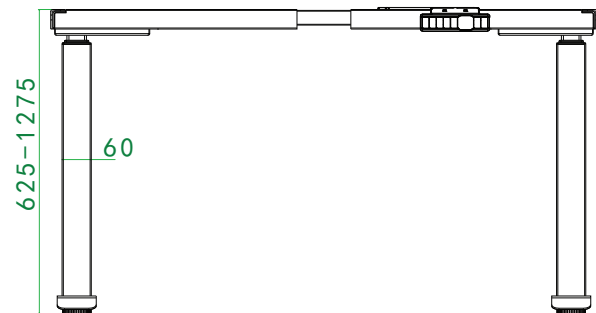
CUBIC



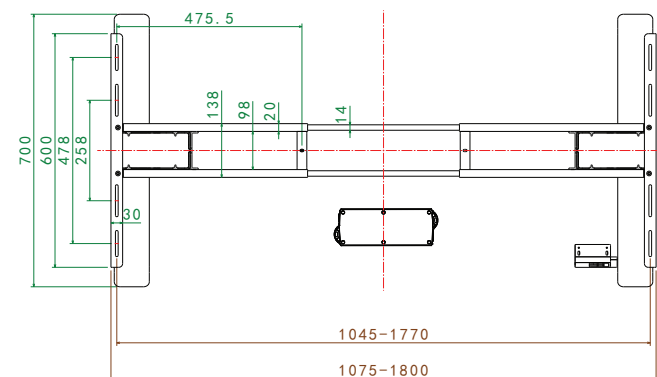
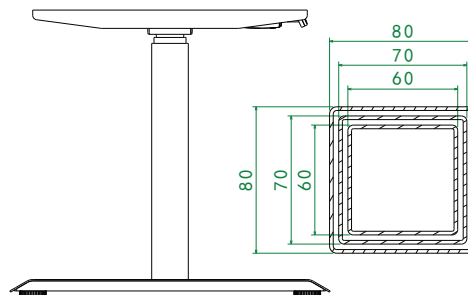
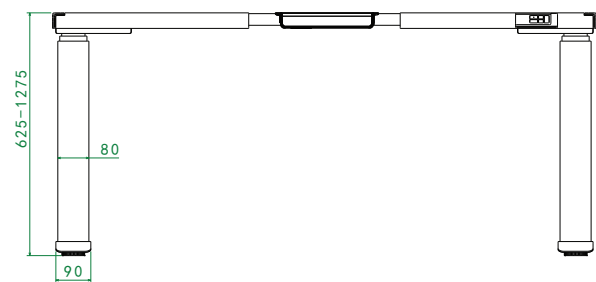
PRESTIGE



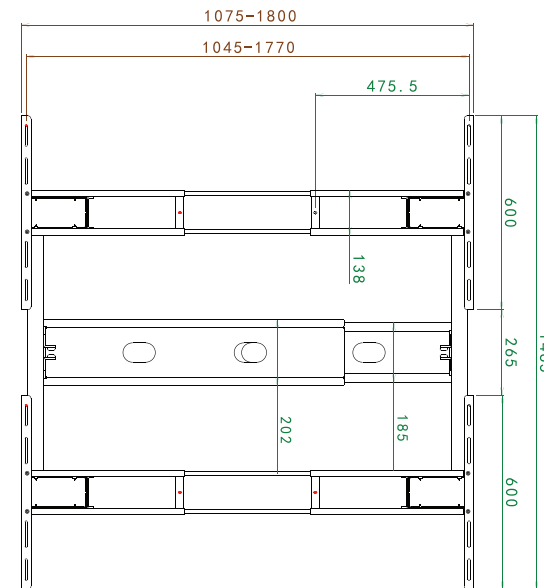
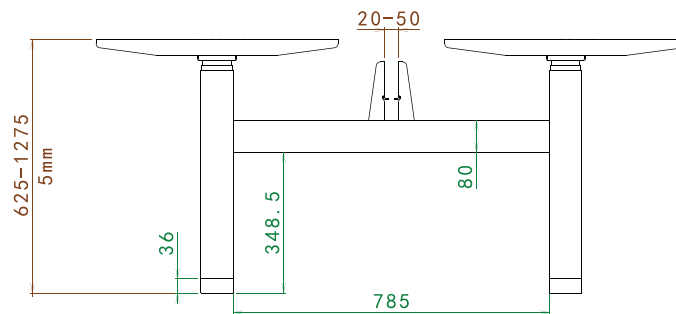
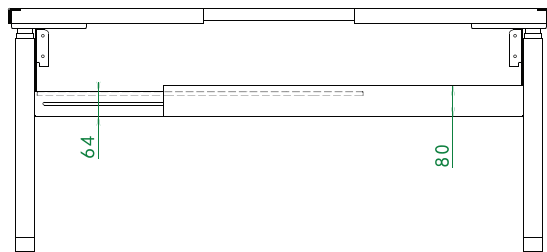
FLEX



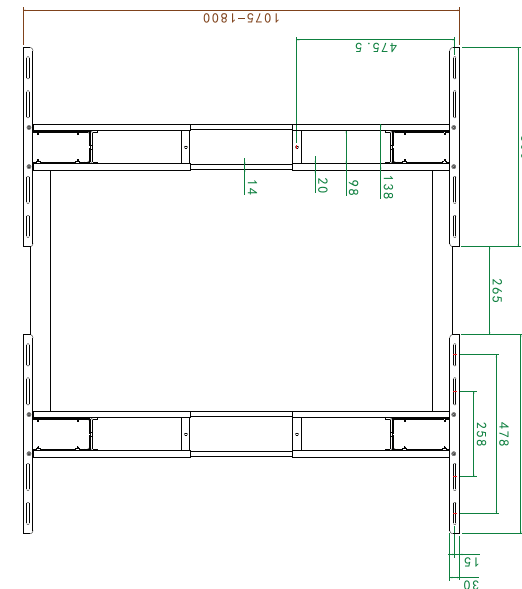
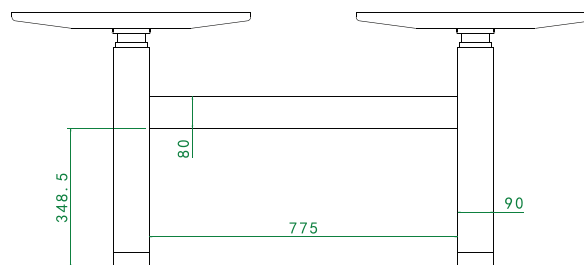
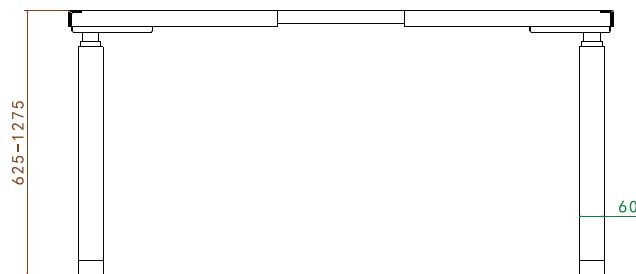
CIRCLE



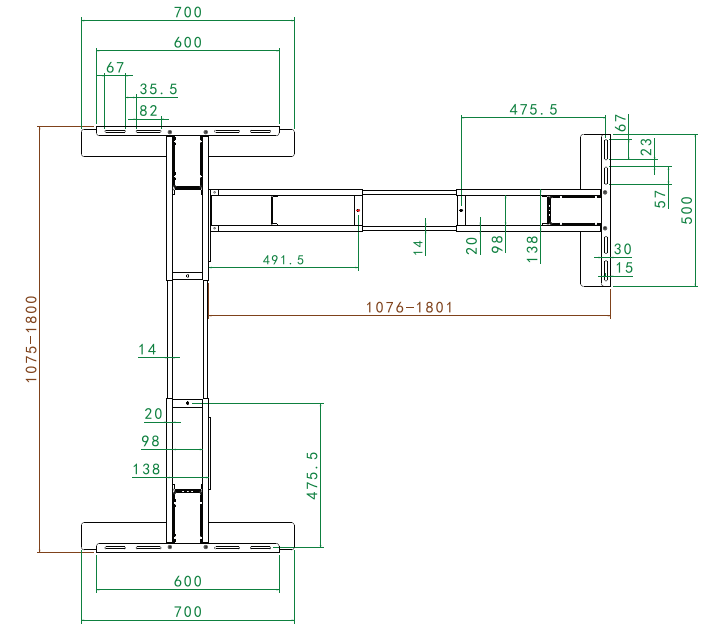
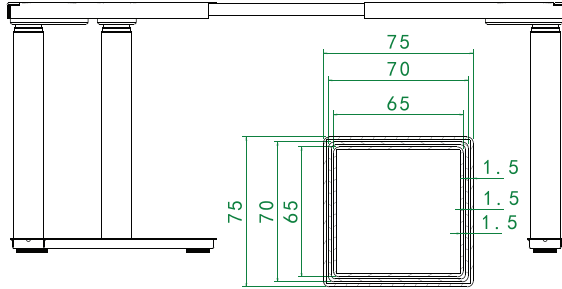
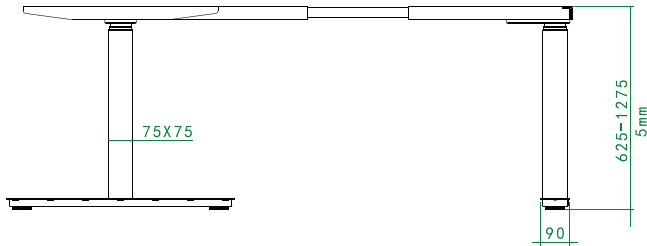
SMART DUO



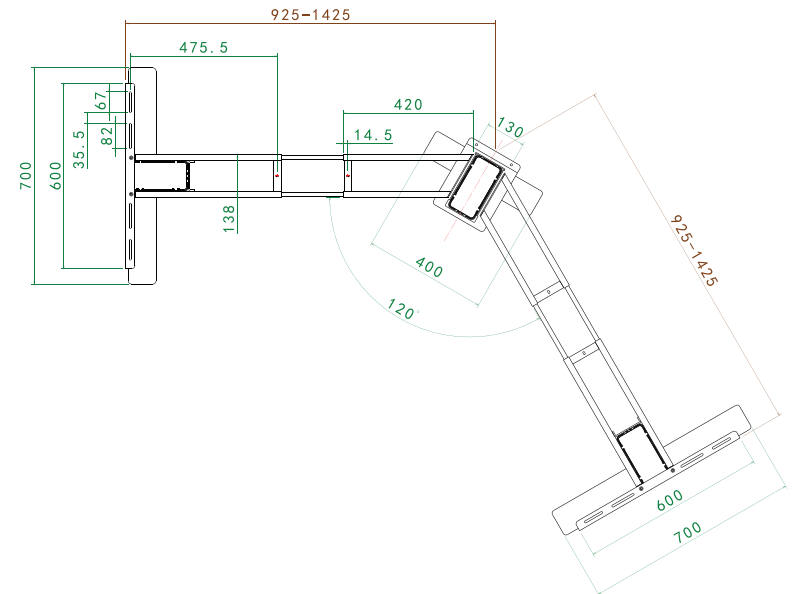
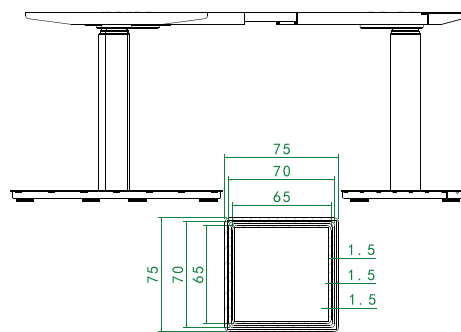
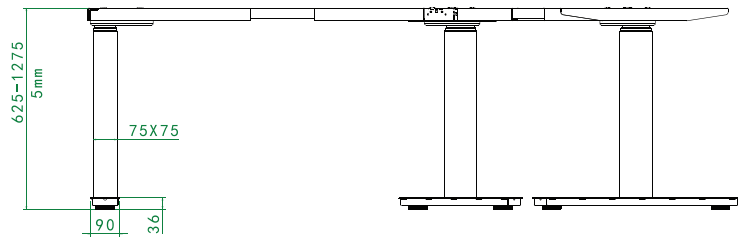
FLEX DUO



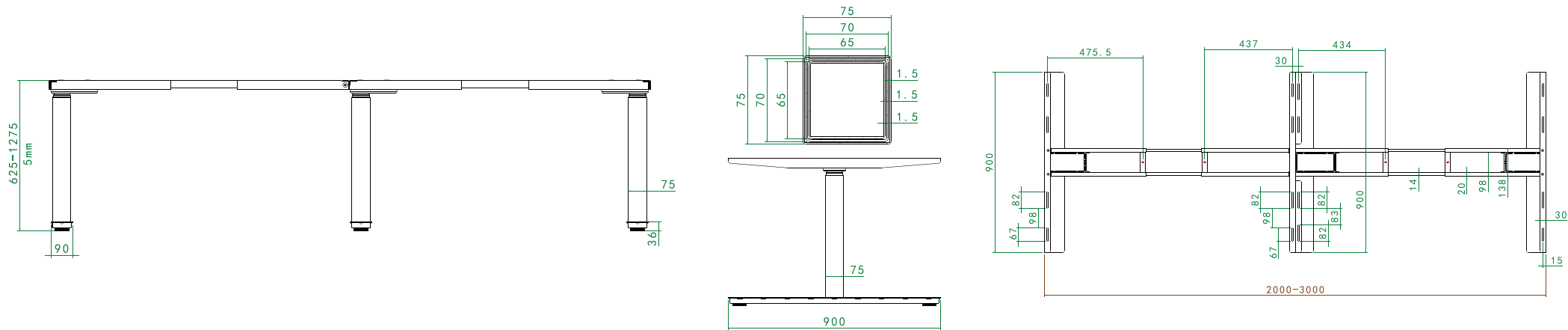
EDGE



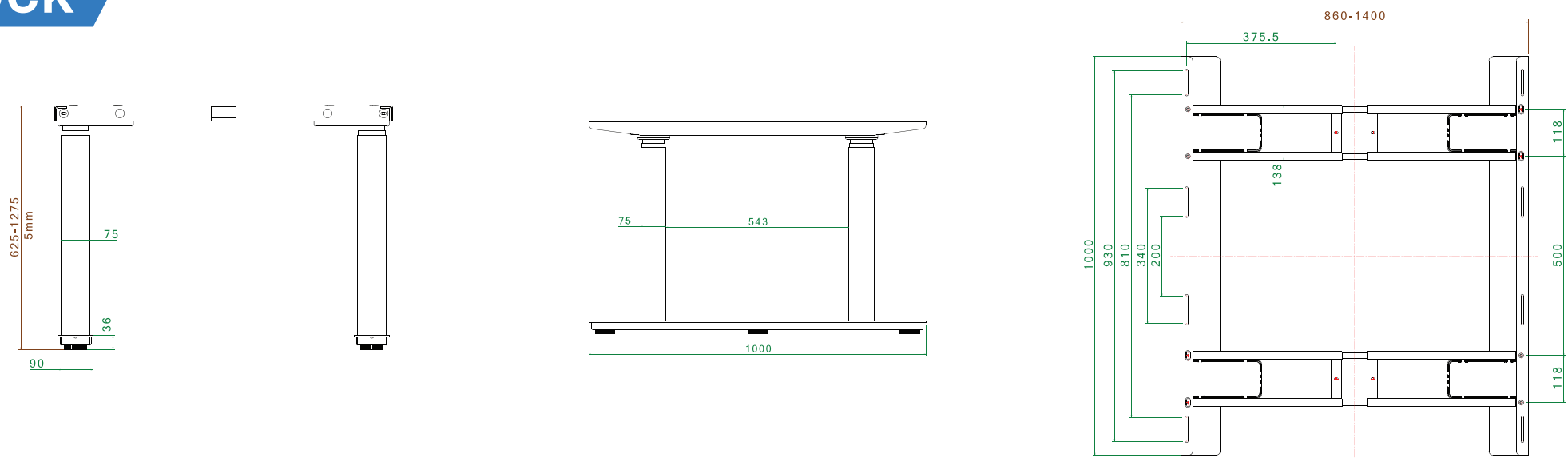
TRIO



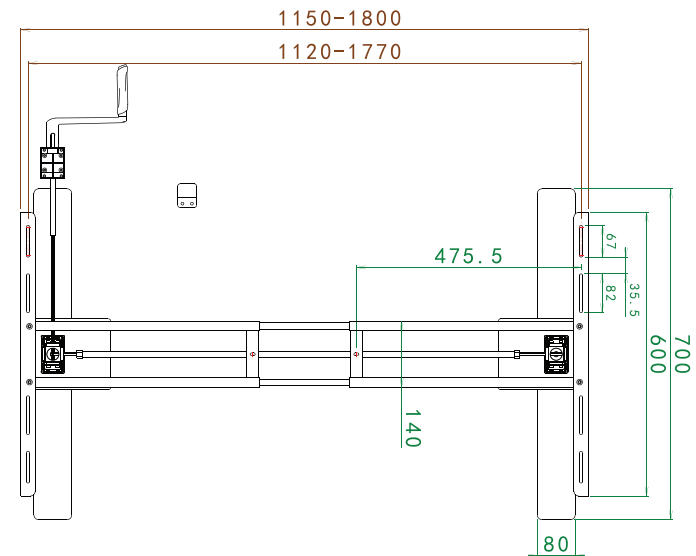
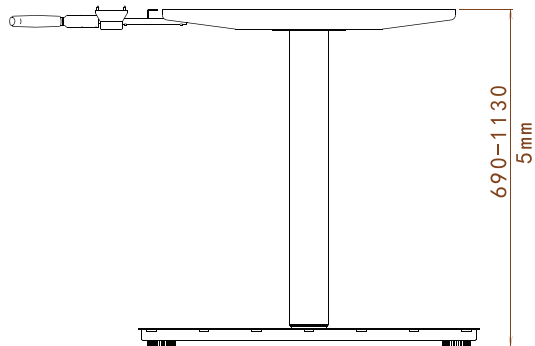
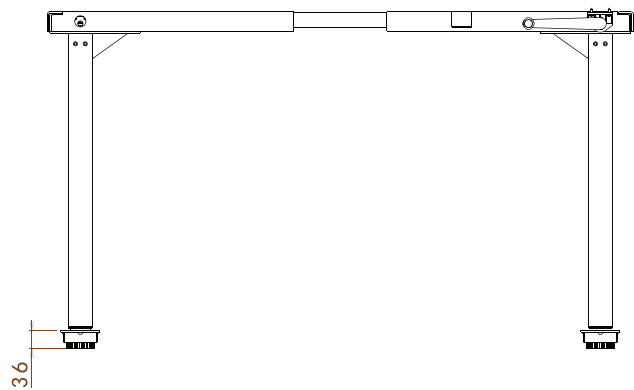
MEET



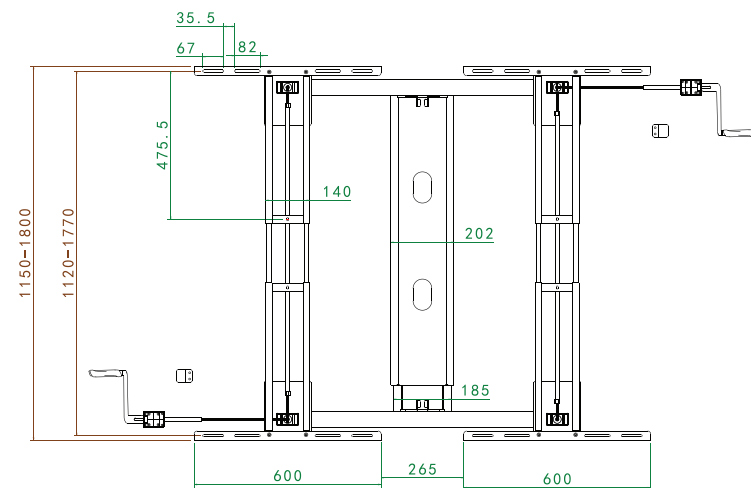
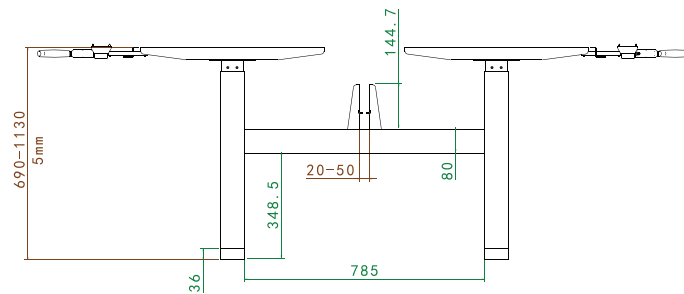
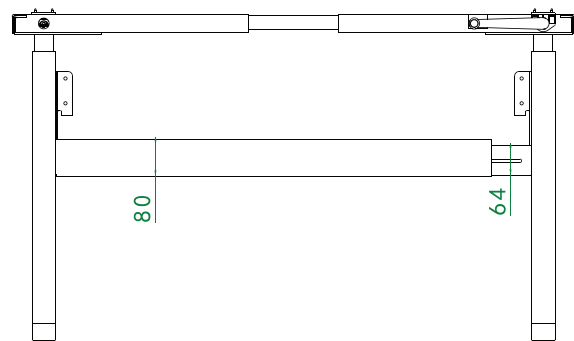
BLOCK



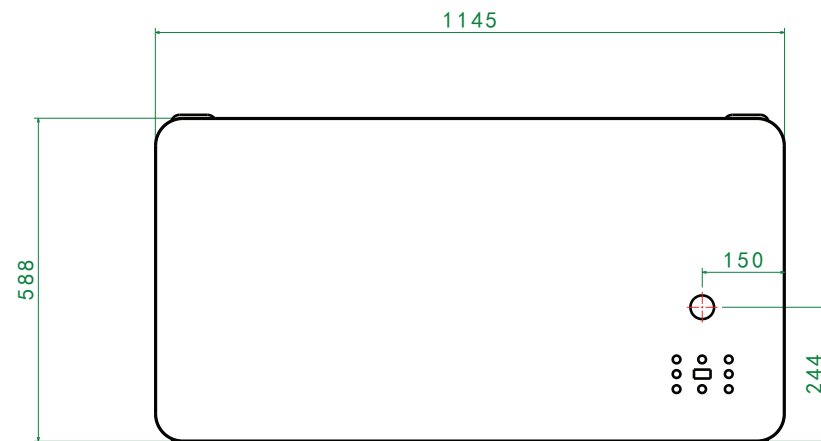
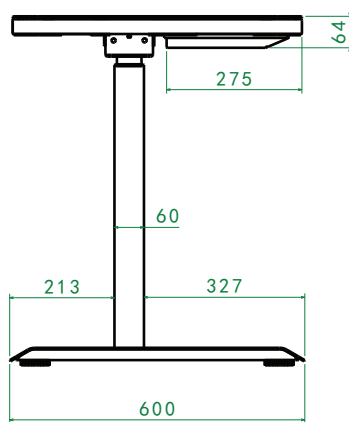
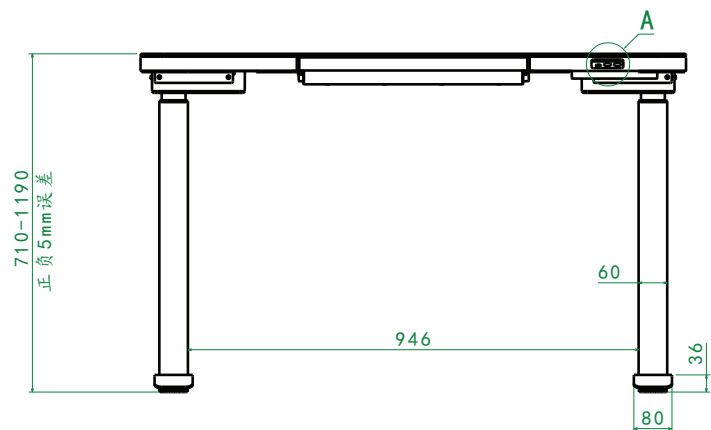
HANDLE



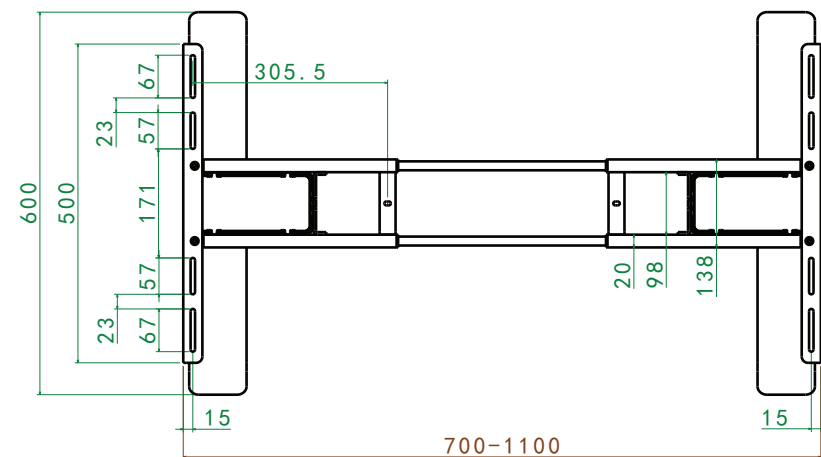
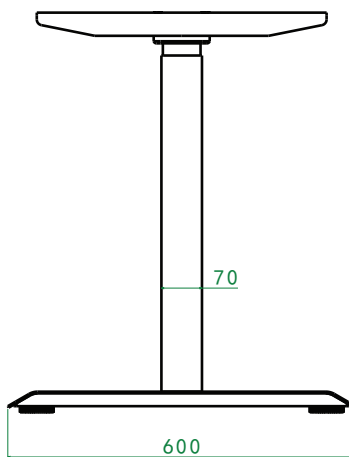
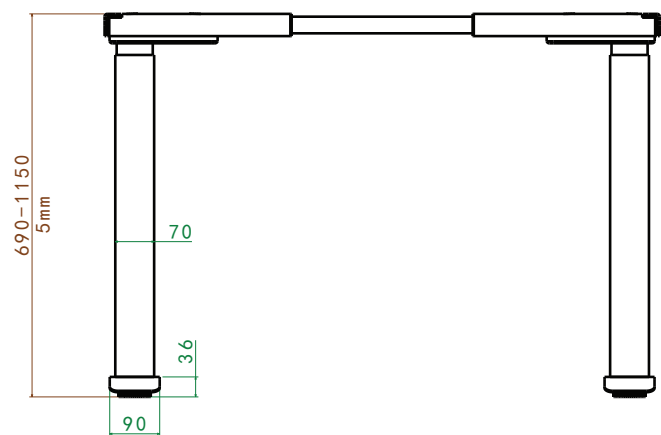
HANDLE DUO



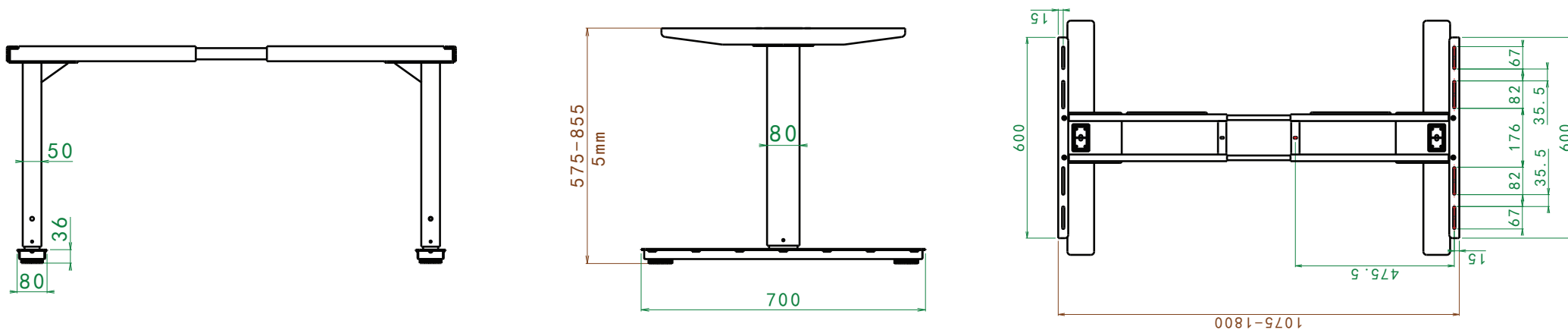
HOME



LITTLE



FIX



FIX 90

